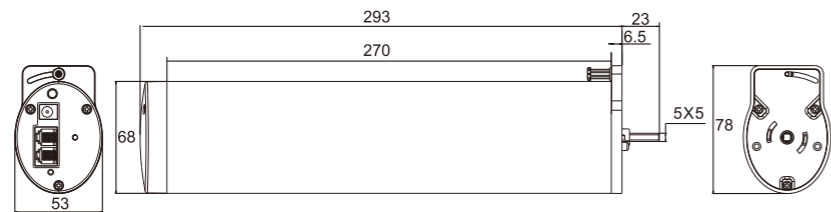
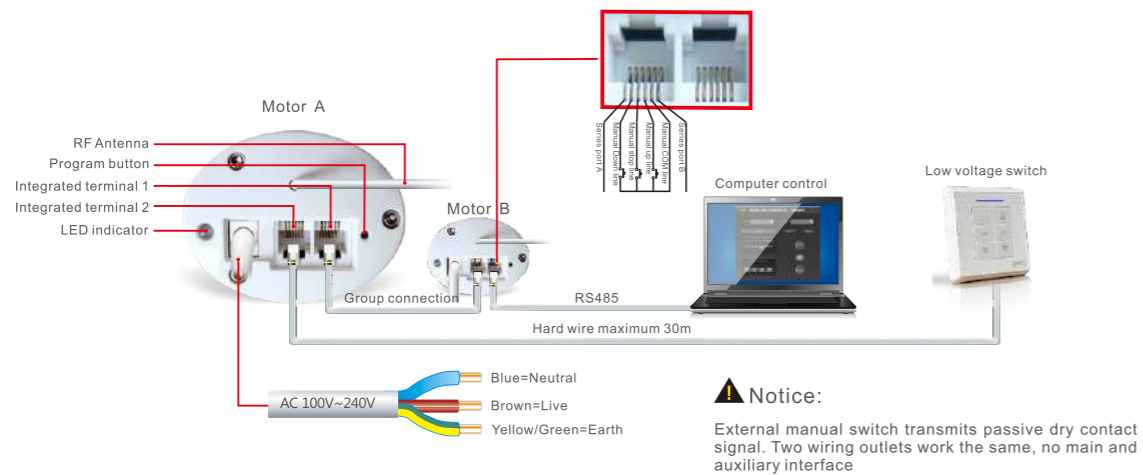


**AM68 Quiet**  
68mm curtain motor



**Wiring instructions**

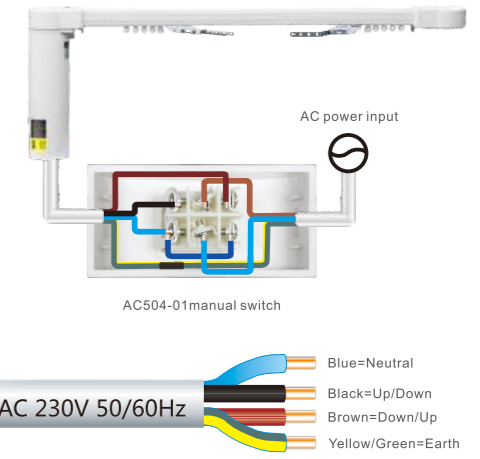


AM68-1/100-EQ-P AM68-2/80-EM-P AM68-2/80-EC-P Wiring instructions

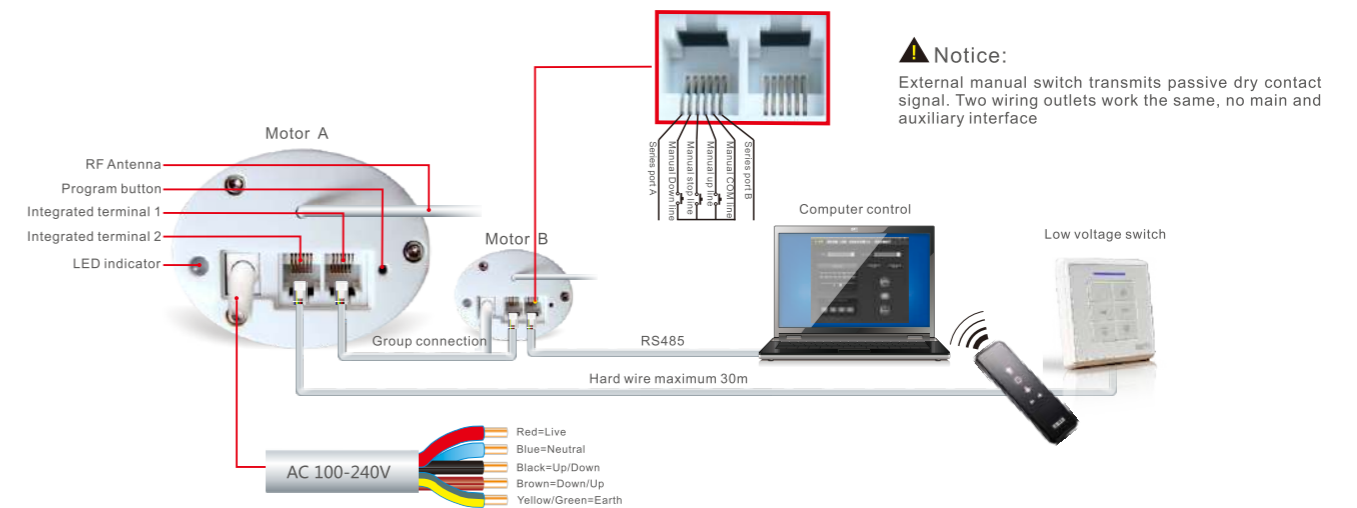
Solution 1:



Solution 2:



AM68-2/80-EM-QP wiring instructions



AM68-1/100-EQ-GP Wiring instructions

Products Name	Model	Rated Torque	Speed	Motor size	Rated Voltage	Rated power	IP class	Functions
AC100-240V quiet motor	AM68-1/100-EQ-P	1N.m	16cm/s	316×68×53mm (L) (W) (H)	AC100-240V 50/60Hz	80W	IP20	<ul style="list-style-type: none"> <li><input checked="" type="checkbox"/> Speed adjustable</li> <li><input checked="" type="checkbox"/> Stop on block</li> <li><input checked="" type="checkbox"/> Various control options</li> <li><input checked="" type="checkbox"/> Touch motion</li> <li><input checked="" type="checkbox"/> Wide Voltage power supply</li> <li><input checked="" type="checkbox"/> High voltage control</li> <li><input checked="" type="checkbox"/> Group control</li> <li><input checked="" type="checkbox"/> Manual Switch function</li> <li><input checked="" type="checkbox"/> Memory function</li> <li><input checked="" type="checkbox"/> Flexible super silent design</li> <li><input checked="" type="checkbox"/> Fabric rebound journey correction</li> <li><input checked="" type="checkbox"/> Third limit position</li> </ul>
AC100-240V Flexible heavy duty motor	AM68-2/80-EM-P	2N.m	12cm/s			65W		
AC Roof curtain motor	AM68-2/80-EC-P	2N.m	12cm/s			65W		
AC Line Switching quiet motor	AM68-2/80-EM-QP	2N.m	12cm/s			65W		
AC Five wires quiet motor	AM68-1/100-EQ-GP	1N.m	16cm/s			80W		
AC Five wires flexible heavy duty motor	AM68-2/80-EM-GP	2N.m	16cm/s			65W		

**Loading diagram**

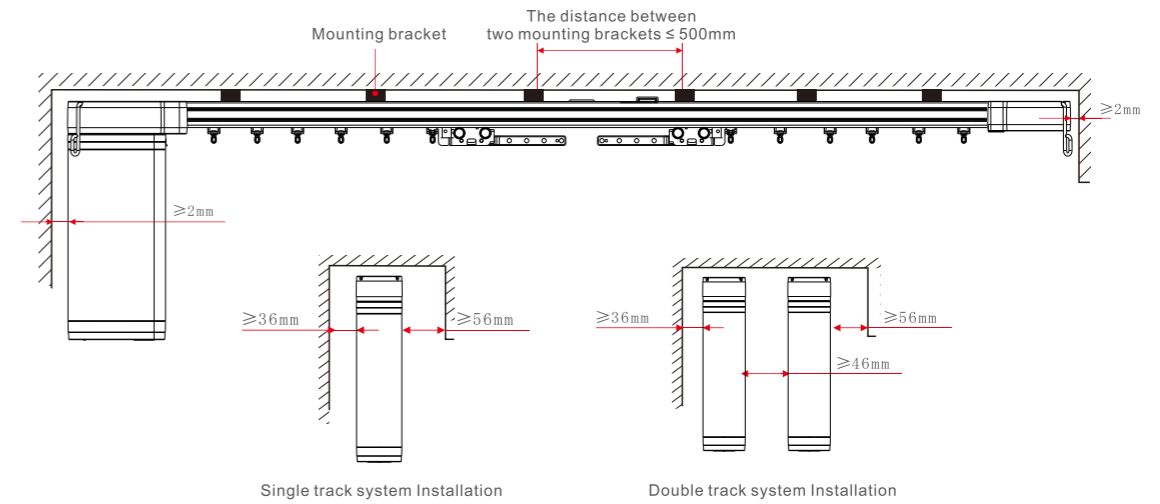
Single motor loading diagram	1N.m			2N.m			Double motor loading diagram	1N.m	2N.m
	Fabric weight	Track length	Track and pulley	Fabric weight	Track length	Track and pulley		12m	12m
Single motor with double pulley	60kg	55kg	50kg	90kg	82.5kg	75kg	90kg	135kg	
Single motor with single pulley	50kg	45kg	40kg	75kg	67.5kg	60kg	70kg	105kg	
Single motor with double pulley (R500)	45kg	40kg	35kg	67.5kg	60kg	52.5kg	60kg	90kg	
Single motor with single pulley (R500)	40kg	35kg	30kg	60kg	52.5kg	45kg	50kg	75kg	
Single motor with double pulley (R500)	35kg	30kg	25kg	52.5kg	45kg	37.5kg	40kg	60kg	
Single motor with single pulley (R500)	30kg	25kg	20kg	45kg	37.5kg	30kg	30kg	45kg	
Single motor with double pulley (R3000)	31kg	21kg		46.5kg	31.5kg		30kg	34.5kg	
Single motor with single pulley (R3000)	21kg	16kg		31.5kg	24kg		23kg	23kg	

Fabric weight=Weight per square meter\*Size (m<sup>2</sup>) x Fold rate.

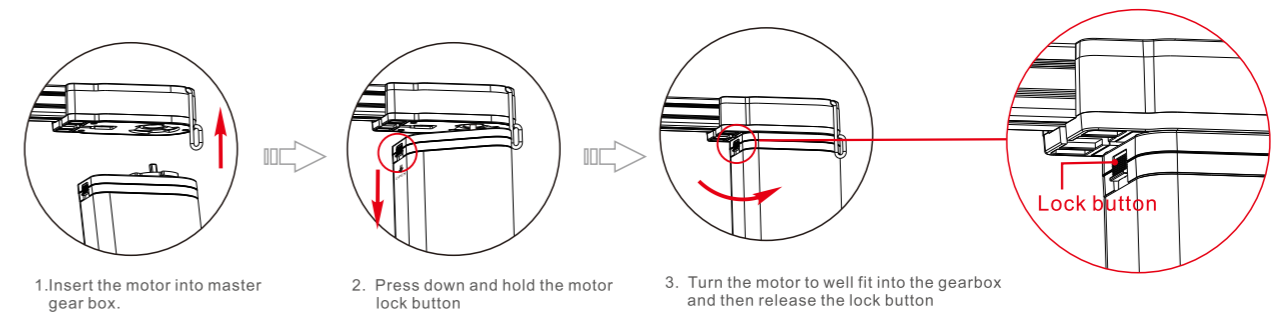
**Remarks:** Maximum loading weight in the diagram does not include friction between fabric and curtain track.

**AM95 Curtain Motor System Installation**

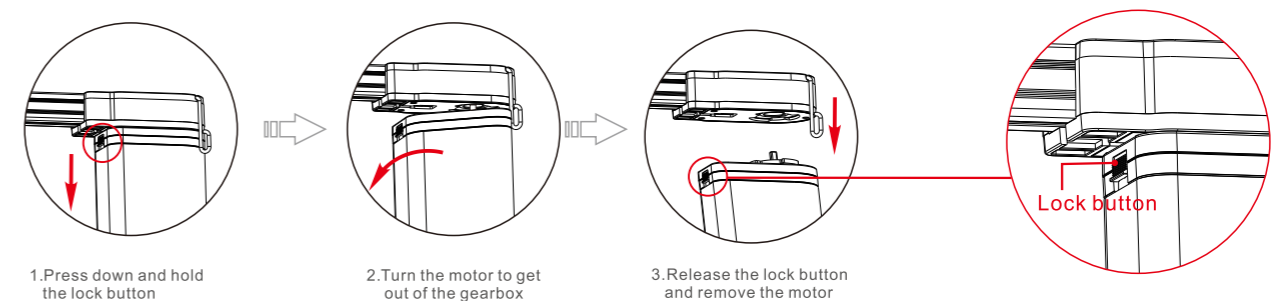
**Install the track**



**Install the motor**

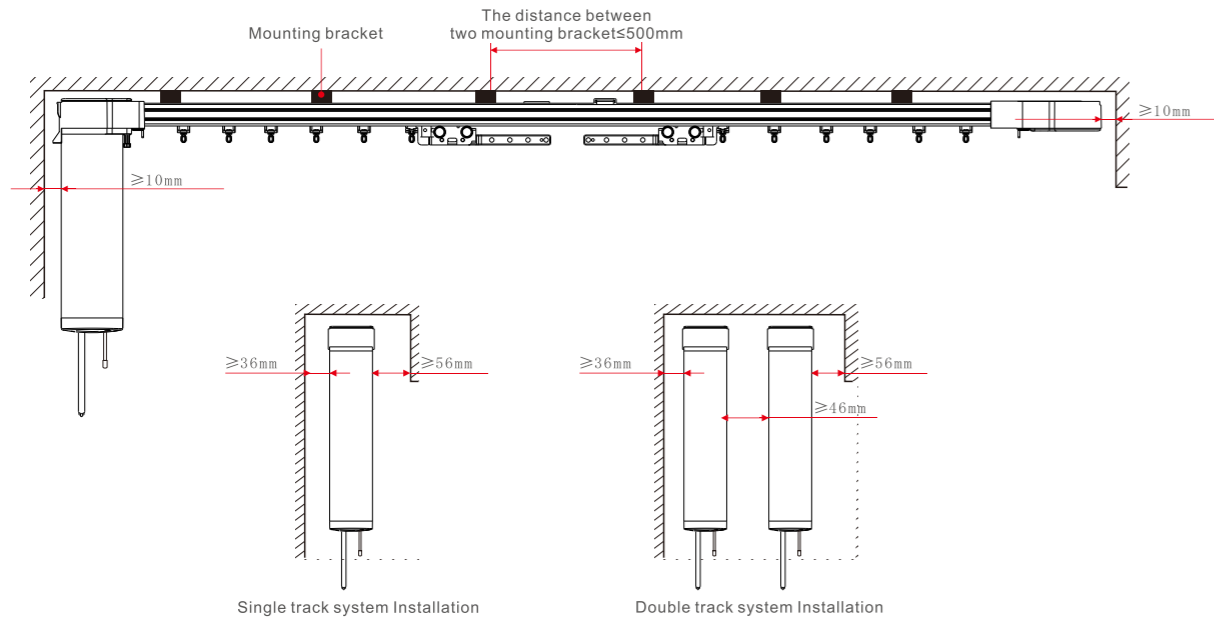


**Remove the motor**

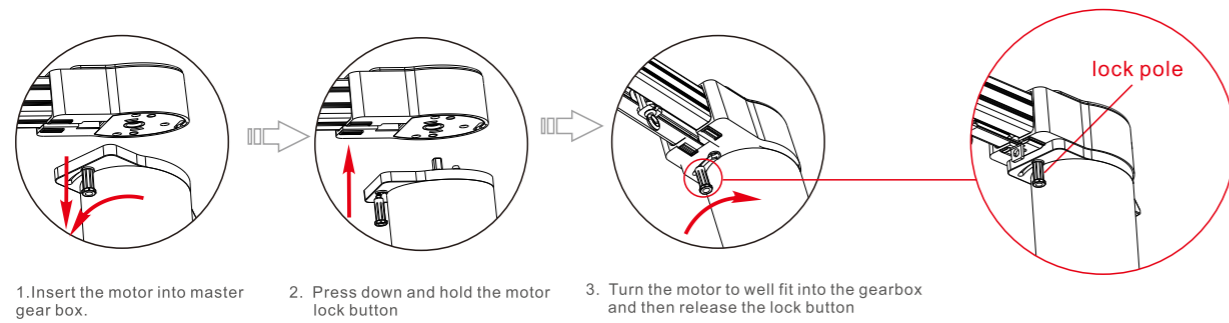


**AM68 Curtain Motor System Installation**

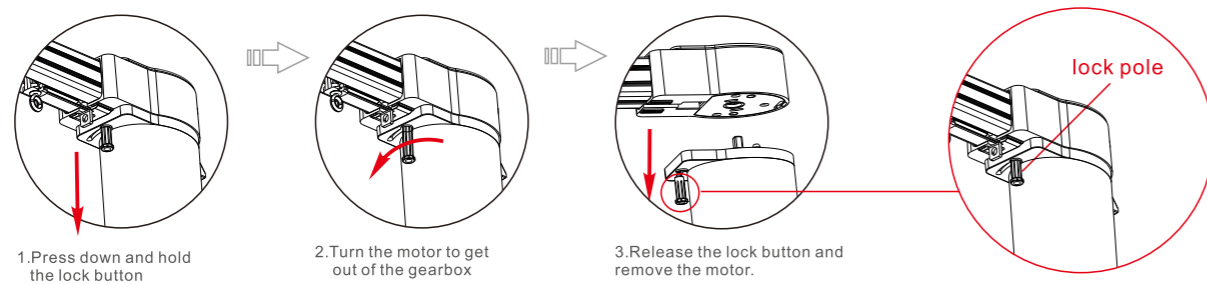
**Install the track**



**Install the motor**

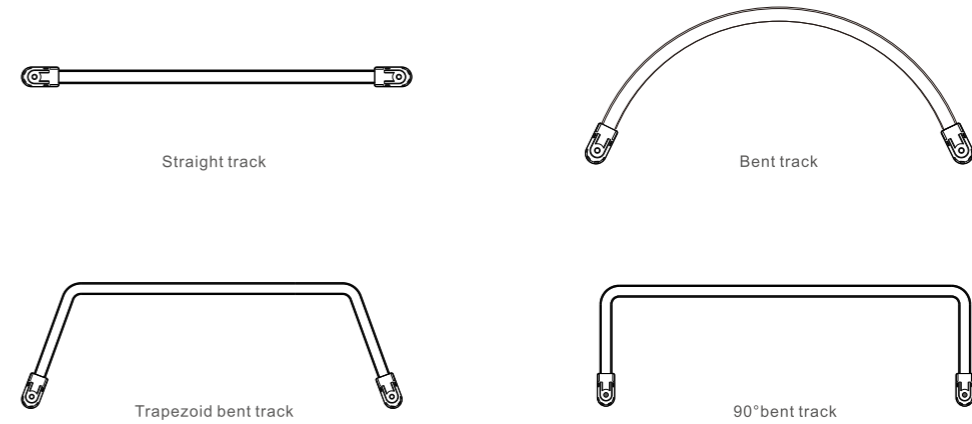


**Remove the motor**



**Track and Accessories**

**Tracks**



Remarks: Customized track is available according to customers requirement.

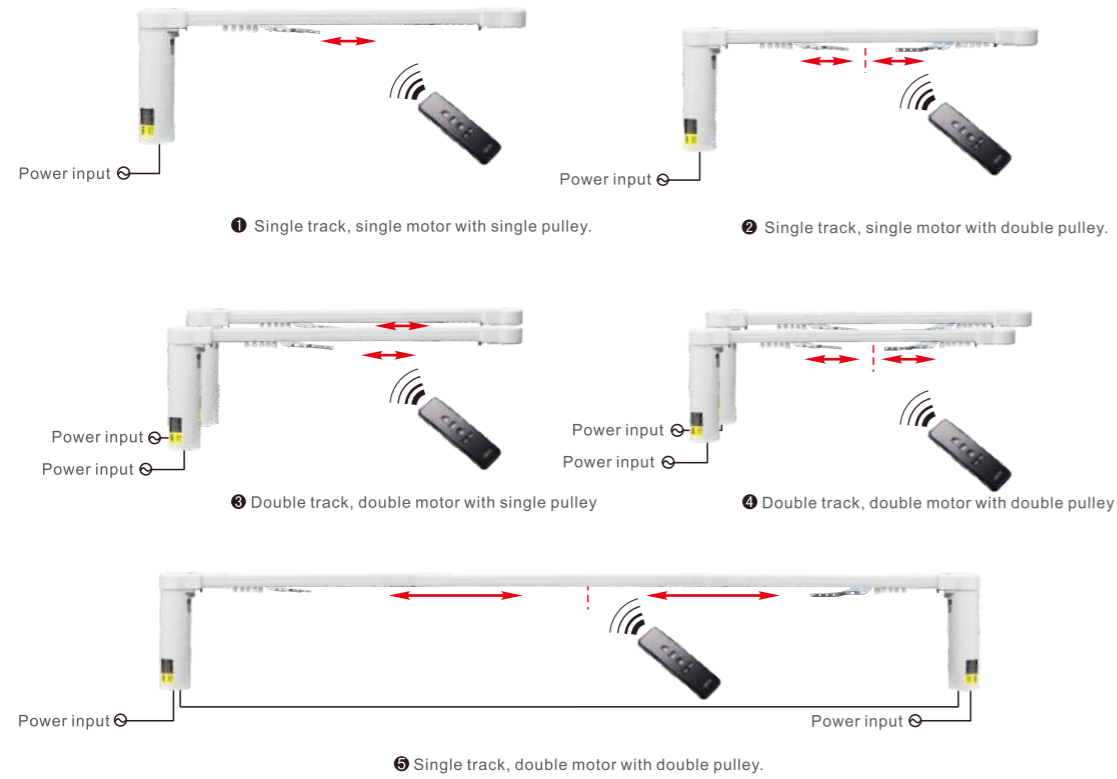
**Accessories**

Product Name	Track	Belt	Pulley	Track connector	Splice	Fix holder
Product picture						
Product description	1. High precision molding aluminum. 2. Surface electrophoresis treatment, highly anti-oxidation. 3. Anti-friction design within the track. 4. Customized track is available according to customer's requirement.	1. Green belt with steel wire. Strong anti-aging performance and Non-deformation. 2. The system could last for 15000 times, as long as 20 years' service life (Two times a day).	1. Work with driving belt, silent structure design. 2. Imported high quality material, non-deformation, no color fading. 3. Hardware with electroplating treatment.	1. Hardware is made of anti-rust material. 2. Special designed screw design. 3. Uneasy to remove by unqualified workers.	1. It is used to connect two tracks, meet the demands of longer curtain track. 2. It is made of 304 stainless steel, high compressive strength and anti-rust.	1. It is made of 304 stainless steel, high compressive strength and anti-rust. 2. Humanized structure design, installation friendly.
Number of configuration	AM68 track length= Whole track length-150mm.	AM68 belt length=Track length*2+240mm.	One-way open and close with 1 Pulley, Two-way open and close with 2 Pulley.	It is used to connect two tracks.	It is used to connect two tracks.	1 complete track system comes with 2 pcs fix holders.

Product Name	Concealed ceiling bracket	Single Track Bracket	Double Track Bracket	Gear box	Side hook	Carrier
Product picture						
Product description	1. Fix the track from the top. 2. It is made of 304 stainless steel, high compressive strength and anti-rust. It is used to connect two tracks.	1. Surface electrophoresis treatment, highly anti-oxidation. 2. Suitable for double track installation, levelness is adjustable, can be adapted to different roughness of the cover, flexible installation.	1. Surface electrophoresis treatment, it is able to oxidation. 2. Suitable for double track installation, levelness is adjustable, can be adapted to different roughness of the cover, flexible installation.	1. Work with driving belt. 2. Use the imported special material, anti-fade. 3. Hardware use stainless steel material.	It is made of PC material. It is made of stainless material, high strength, extremely durable.	1. It is made of imported wear-resisting plastic, non-deformation, non-fading.
Number of configuration	2pcs for 1M track	2pcs for 1M track (20 cm from both ends)	2pcs for 1M track (20 cm from both ends)	1 complete track come with 2 pcs.	1 complete track come with 2 pcs.	1meter track come with 8 pcs.

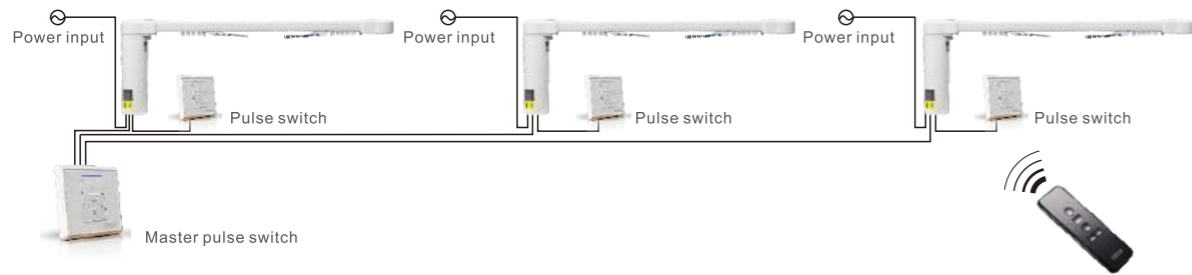
**Curtain Motor Control Mode**

**Single/ Double open and close combination**

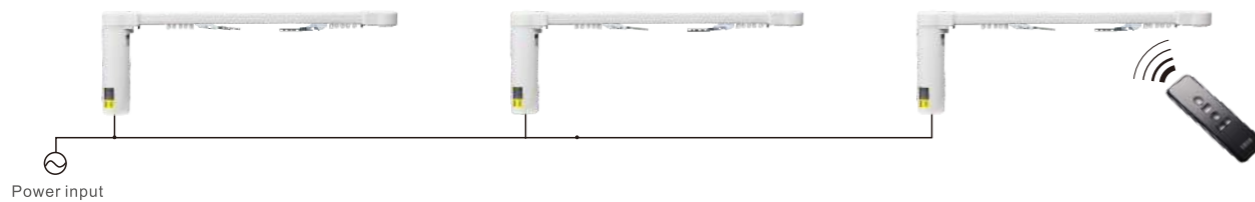


**Control mode**

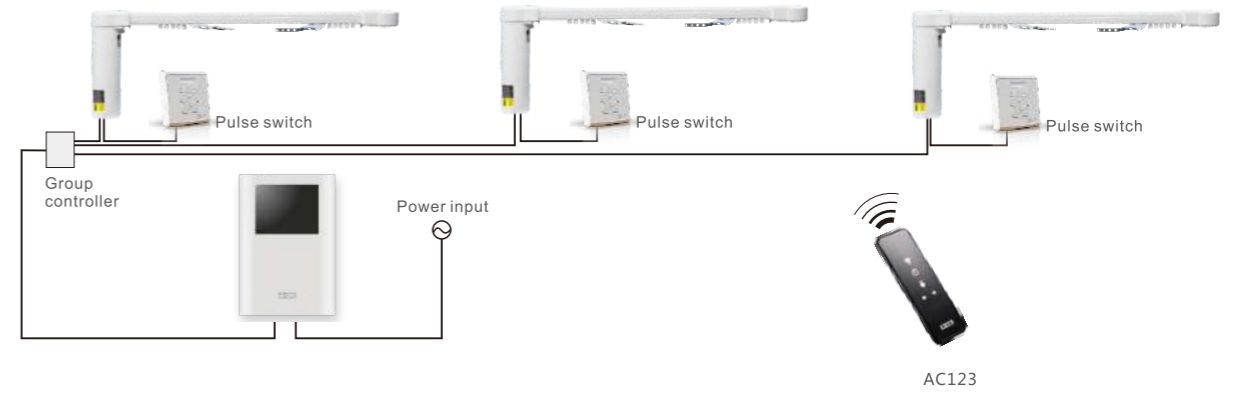
Solution for Switch/RF control in separate or group



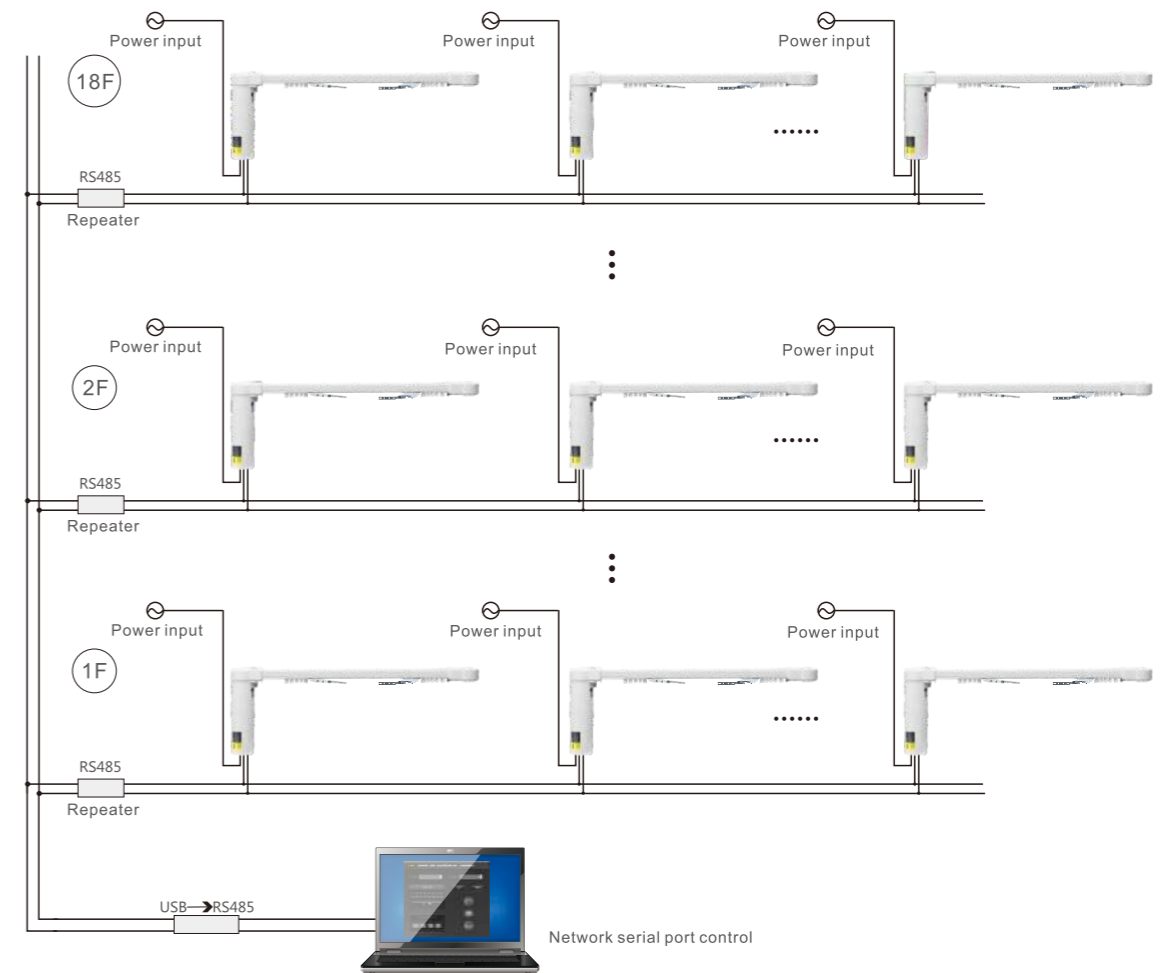
RF control and group control system solution



AC Output Center Control Application---AC Line Switching Curtain Motor



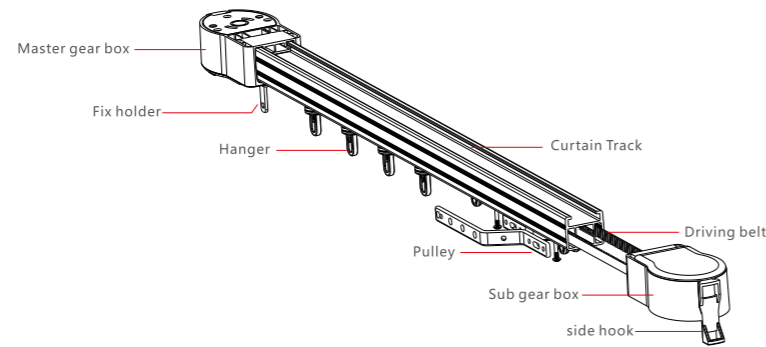
Computer Control---curtain motor building control scheme





**Curtain Motor System Assemble**

**Curtain Motor System Diagram**



**Assemble**

**Step 1: Cut Curtain Rail and Driving Belt**

**The length of AM68 completed rail calculation formula:**

Rail length=completed rail length-150mm.  
Driving belt length= Rail length\*2+240mm.

For example: one 2m AM68 completed rail  
The length of cutting rail: 2000-150=1850mm, the length of cutting belt: 1850\*2+240=3940mm.

**The length of AM95 completed rail calculation formula:**

Rail length=completed rail length-160mm.  
Driving belt length= Rail length\*2+290mm.

For example: one 2m AM95 completed rail  
The length of cutting rail: 2000-160=1840mm, the length of cutting belt: 1840\*2+290=3970mm.

**Notes:**



Cut and prepare rail  
PS: Please use professional cutting machine



Curtain rail sectional view  
PS: The cutting surface of curtain rail must be leveling; deburr the rail with a file to smooth the edges of the rail for ease of transportation and connection.



Cut driving belt  
PS: Please use professional cutting tool



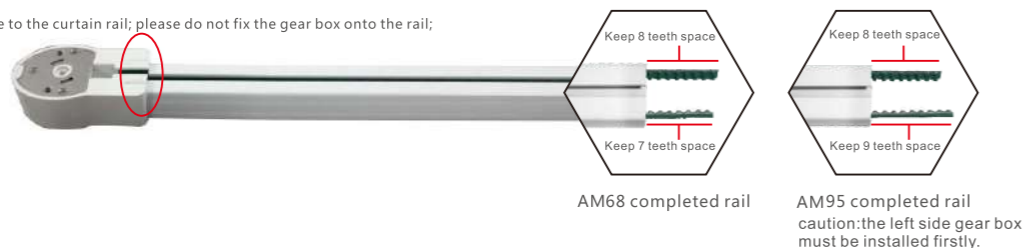
Driving belt sectional view  
PS: please keep the cutting edges of the driving belt smooth.

**Step 2: Please insert the driving belt into the curtain rail and go through the first gear box**

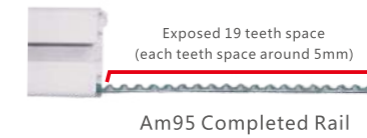


**Step 3: Place the gear box close to the curtain rail; please do not fix the gear box onto the rail; please keep the proper exposed driving belt and cut the ones.(AM68 completed rail: one side exposed 7 teeth space, another side exposed 8 teeth space; AM95 completed rail: one side exposed 9 teeth space, another side exposed 8 teeth space)**

Place the gear box close to the curtain rail; please do not fix the gear box onto the rail;



**Step 4: Mark Edge of Driving Belt( if the curtain use two pulley, follow step 4 and step 5, if the curtain use only one pulley, skip step 4 and step 5)**



**Step 5: Install two belt holder and pulley**



1.Pull the gear box and install the first belt holder on the marked position; as above photo shown.



2.Install the second belt holder beside the first belt holder (one tooth space, on the left side), as above photo shown.



3.Assemble the pulley as above photo shown.

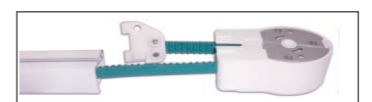
**Step 6: Assemble another pulley**



1.Insert the driving belt through the gear box.



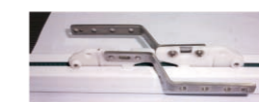
2.Install the belt holder on the edge.



3.Assemble the sub carrier onto the belt holder.



4.Slide the sub carrier to master carrier, connect the master carrier and sub carrier.

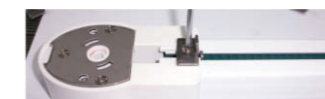


5.Assemble finish; two pulleys should stop in the middle of the completed rail.

**Step 7: Hanger and fix holder installation**



1.Insert the hangers as shown in the above image. All hangers must face the same direction.



2.Lock the fixed holder.

**Notes: Inspect the pulley sliding**

- 1.Pull the pulley slightly; make sure the pulley slide smoothly.
- 2.Inspect the driving belt whether it is tight or loose.

If the pulleys do not slide smoothly, you could follow the assemble steps do some adjustment and you could also use some lubricating oil until the pulleys slide smoothly. Now you finish the completed rail assemble.

## Motorized Lift Curtain Solution

Indoor◦Intelligent◦Sun Protection



Motorized lift curtain system is mainly applied to compound-floor buildings with height built window, not easy to clean fabric and hand operation. Using the motorized lift curtain system, freely raise and lower the curtain by remote, more convenient.

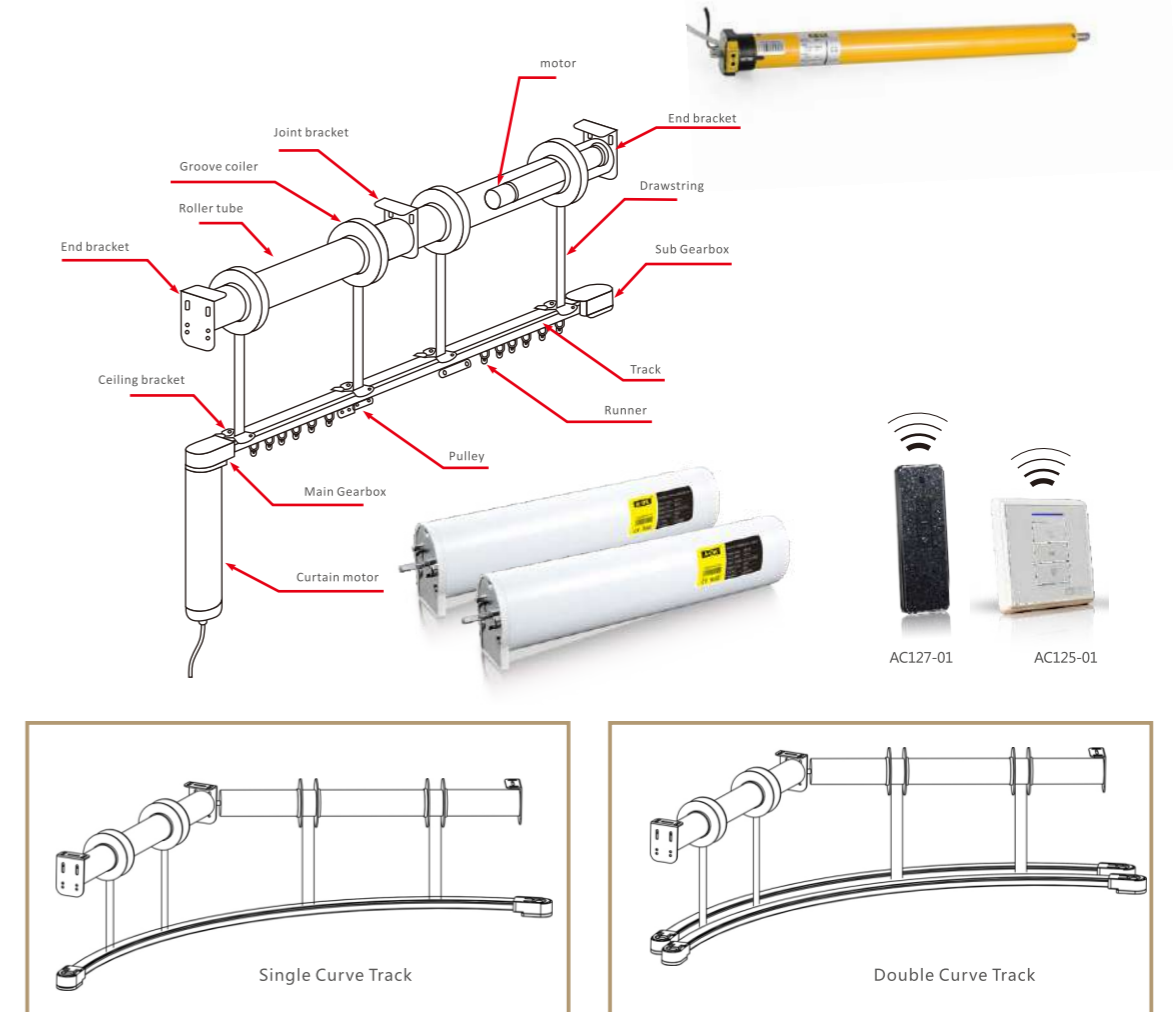
Motorized lift curtain system is composed of motorized roman blinds and motorized curtain. The motorized roman blinds are able to lift up and lower down the curtain system, and one system able to lift one to three curtain systems. It is possible to make straight and curve system according to the building.

### Features

- Easy to change and operate;
- Both touch control and manual operate, Stop by block;
- Suit to middle and height window;
- Group connection via RS485 for center control;
- Quiet design, limits auto setting;
- Applied to house, hotel, villa, meeting room etc;



### System Structure



### Recommend Motor

#### Curtain motor

Product Name	Product Type	Rated Torque	Speed	Motor Dimension	Rated Power	Function Description
AM68 flexible quiet curtain motor	AM68-2/80-EM	2N.m	12cm/s	316×68×53mm (L) (W) (H)	65W	<input checked="" type="checkbox"/> Light Touch function. <input checked="" type="checkbox"/> Stop by block. <input checked="" type="checkbox"/> Adjustable speed. <input checked="" type="checkbox"/> Manual operate. <input checked="" type="checkbox"/> Group connection. <input checked="" type="checkbox"/> Various control.
	AM68-2/80-EM-P	2N.m	12cm/s	316×68×53mm (L) (W) (H)	65W	<input checked="" type="checkbox"/> Quiet design. <input checked="" type="checkbox"/> Fabric rebound limits correction. <input checked="" type="checkbox"/> Middle limit. <input checked="" type="checkbox"/> Auto set limit.
	AM68-2/80-EM-QP	2N.m	12cm/s	316×68×53mm (L) (W) (H)	65W	<input checked="" type="checkbox"/> Quiet design. <input checked="" type="checkbox"/> Fabric rebound limits correction. <input checked="" type="checkbox"/> Middle limit. <input checked="" type="checkbox"/> Auto set limit.

#### Tubular motor

Product Name	Product Type	Rated Torque	Speed	Motor Dimension	Protective class	Function Description
AM45 Standard Tubular motor	AM45-50/12	50N.m	12rpm	602×52×52mm (L) (W) (H)	IP44	<input checked="" type="checkbox"/> Mechanical limit <input checked="" type="checkbox"/> External radio receiver <input checked="" type="checkbox"/> External manual switch
AM45 Receiver built in motor	AM45-50/12-E	50N.m	12rpm	702×52×52mm (L) (W) (H)	IP44	<input checked="" type="checkbox"/> Mechanical limit <input checked="" type="checkbox"/> External manual switch